



ZKX5030A

Single Energy X-ray Inspection System

Introduction:

ZKX5030A X-ray inspection system increases the operator's ability to identify potential threats; the device is designed to scan briefcases, carry-on baggage, and small cargo parcels.

ZKX5030A uses a reliable high quality X-ray generator. With a superb image algorithm, ZKX5030A offers a clear scanning image, which allows operators to identify potential threat items visually.

With an ergonomic modern design, ZKX5030A can help operators to identify suspicious items fast and accurately.

**kindly note, ZKX5030A is equipped with a computer and keyboard*

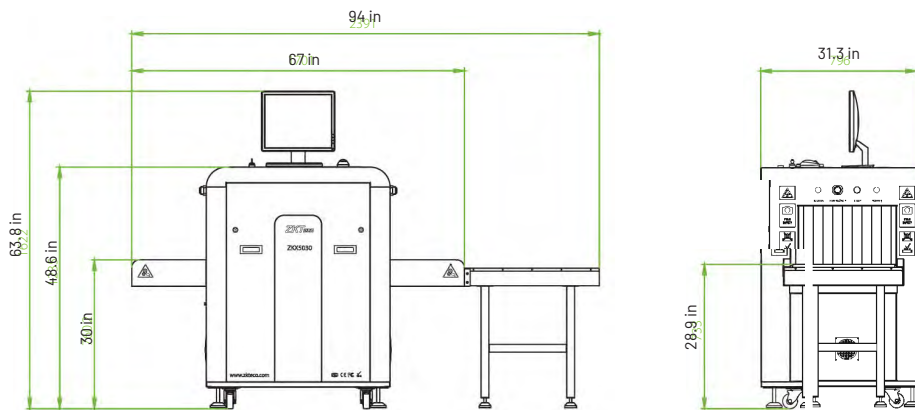
FEATURES

- Offers high wire resolution
- HAMAMATSU X-ray detector
- True-color scanning image
- Widely usable for small parcels
- Excellent, ergonomic industrial design
- Energy saving mode (standard)
- Optional bidirection scan
- Optional fingerprint console board
- Optional console desk

SPECIFICATIONS

Tunnel Size (WxH)	20 x 12 inches
Speed	0.20 m/s
Height of Transmission Belt	28.8 in
Maximum Load	≤19 lbs (adequate distribution)
Wire Resolution	34 AWG (0.006 in metal wire)
Space Definition	Horizontal 0.04 in / Vertical 0.8 in
Penetrate Definition	32 AWG
Penetration	0.34 in steel board
Monitor	17 inch LED
System Function	High density alarm, explosive/drug detection, TIP, luggage counter, system running timer, X-ray emitting timer, training, 64 times continuous zoom in
Film Safety	ASA/ISO 1600 standard of film safety
Tube Voltage	80 KV
Cooling	Seal oil cooling / 100%
Single Inspection Dosage Rate	<1.0 μ Gy
Radiation Leak Dosage	0.1 μ Gy/h (5cm from the surface)
Package Size (LxWxH)	75 x 39 x 58.4 in
Package Weight	904 lbs
Power Consumption	1 kVA
Noise	53.8 dB(A)

DIMENSIONS



ISO 9001:2015 certified

1600 Union Hill Rd., Alpharetta GA 30005

Phone: (862) 505 - 2101 • Fax: (862) 204 - 5906 • info@zktecousa.com • www.zktecousa.com

© Copyright 2019, ZKTECO Inc. ZKTECO Logo and ZKTECO USA Logo have registered trademarks of ZKTECO or a related company.

All other product and company names mentioned are used for identification purposes only and may be trademarks of their respective owners.

All specifications are subject to change without notice. All rights reserved.