

TS2000 Pro Series

TS2000 Pro Tripod Turnstile

TS2011 Pro Tripod Turnstile
(w/ controller and RFID reader)

TS2022 Pro Tripod Turnstile
(w/ controller and combination of fingerprint & RFID reader)



Our Pro series tripod turnstiles are a classic and safe way to protect your premises. They are used in various indoor environment applications. They fit perfectly as an economical option in office buildings and other related applications.



Access Control System



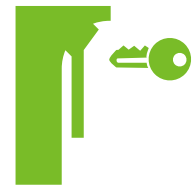
Fingerprint Recognition



Drop-arm



Bi-directional



Mechanical Unlocking

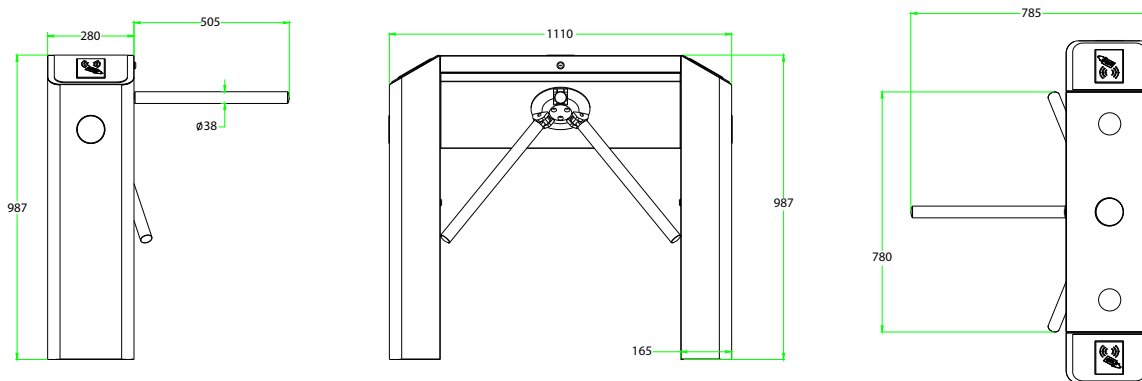
Features

- SUS304 stainless steel housing
- Bi-directional tripod turnstile with arm drop function
- LED pictograms for intuitive user experience and high throughput in both directions
- High quality at an affordable price
- Low power consumption
- Wide range of accessories
- Easy and simple installation process
- Easy to maintain and monitor

Specifications

Power requirements		AC110V/220V, 50/60Hz
Power consumption	Running	18W
	Standby	6W
Working temperature		-28 °C - 60 °C
Working humidity		5%-80%
Working environment		Indoor/Outdoor(if sheltered)
Speed of throughput	RFID	Maximum 30/minute
	Fingerprint	Maximum 25/minute
Lane width(mm)		505
Footprint(mm*mm)		785*1110
Dimension(mm)		L=1110, W=280, H=987
Dimension with packing(mm)		L=1175, W=370, H=1070
Net weight(kg)		42
Weight with packing(kg)		48
LED indicator		Y
Cabinet material		SUS304 Stainless Steel
Lid material		SUS304 Stainless Steel
Barrier material		SUS304 Stainless Steel
Barrier movement		Rotation
Emergency mode		Y
Security level		Medium
Mean cycles between failure (MCBF)		1 million
Options/Accessories		Counter, SUS316 Cabinet and Lid, Remote Control

Dimensions (mm)



ZKTeco

USA

1600 Union Hill Road Alpharetta, GA 30005

Phone: (862) 505-2101 | Fax: (862) 204-5906 | info@zktcoua.com | www.zktcoua.com

© Copyright 2023. ZKTeco Inc. ZKTeco Logo and ZKTeco USA Logo have registered trademarks of ZKTeco or a related company. All other product and company names mentioned are used for identification purposes only and may be trademarks of their respective owners. All specifications are subject to change without notice. All rights reserved.